

Accumulator safety block

Type 0532VAW



- ▶ Nominal diameter DN20, DN32
- ▶ Component series A1
- ▶ Maximum operating pressure 330 bar [4800 psi]

Features

- ▶ Ready for connection
- ▶ Manual or electro-magnetic unloading
- ▶ Large number of variants
- ▶ Compact design
- ▶ Direct operated pressure relief valve according to data sheet 50153

Contents

Features	1
Ordering code	2, 3
Symbols	3
Preferred types	4, 5
Function	6
Technical data	7, 8
Characteristic curves	8
Dimensions	10 ... 21
Accessories	21, 22
Safety instructions	23
Further information	23

Ordering code

01	02	03	04	05	06	07	08	09	10
0532VAW	/	/	/	/	/	/	/	/	/

01	Accumulator shut-off block	0532VAW
----	----------------------------	----------------

Nominal diameter

02	DN20	20
	DN32	32

Symbol (see preferred types on pages [4](#) and [5](#))

03	Symbol 1	1
	Symbol 2	2
	Symbol 3	3
	Symbol 4	4
	Symbol 5	5 ¹⁾
	Symbol 6	6 ¹⁾
	Symbol 7	7 ¹⁾
	Symbol 8	8
	Symbol 9	9 ¹⁾
	Symbol 10	10

Seal material

04	FKM seal	FKM
	Observe compatibility of seals with hydraulic fluid used! (Other seals upon request)	

Pressure adjustment


05	40 bar [<i>585 psi</i>]	40
	50 bar [<i>730 psi</i>]	50
	70 bar [<i>1015 psi</i>]	70
	100 bar [<i>1450 psi</i>]	100
	140 bar [<i>2030 psi</i>]	140
	160 bar [<i>2320 psi</i>]	160
	211 bar [<i>3060 psi</i>]	211
	250 bar [<i>3625 psi</i>]	250
	280 bar [<i>4060 psi</i>]	280
	330 bar [<i>4800 psi</i>]	330
	Without pressure relief valve	– ²⁾

Adjustment type at the pressure relief valve

06	With hand wheel	D
	Spindle with protective cap	K
	Without pressure relief valve	– ²⁾

Order example:

0532VAW20/1/FKM/-/-/Z/00/-/-/A1

 **Notice:** Preferred types and standard units are contained in the EPS (standard price list).

Ordering code

01	02	03	04	05	06	07	08	09	10
0532VAW	/		/		/		/		/

Connection thread P

07	Inch	Z
	Flange	F ¹⁾

Unloading

08	Without directional valve	00 ³⁾
	2/2 directional valve, manual operation	01 ⁴⁾
	2/2 directional valve, electrical operation, normally open	03 ⁵⁾

Voltage type

09	Direct voltage 24 V / Frequency	G24/00 ⁵⁾
	Without directional valve	-/- ⁶⁾

Component series

10	Component series A with standard version 1	A1
	Component series A with special version S	AS

¹⁾ Not possible with version "20"

²⁾ Only for symbols 1, 2, 5, 8 and 9

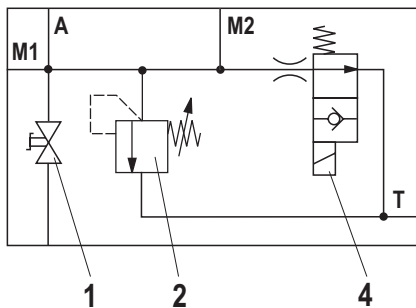
³⁾ Only for symbols 1, 3 and 6

⁴⁾ Only for symbols 8, 9 and 10

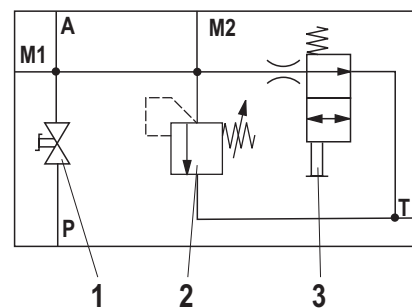
⁵⁾ Only for symbols 2, 4, 5 and 7

⁶⁾ Only for symbols 1, 3, 6, 8, 9 and 10

Symbols



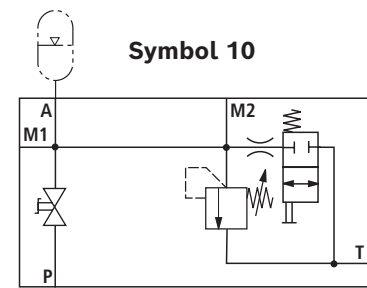
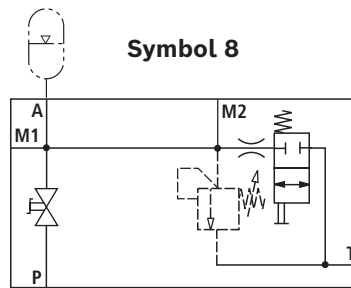
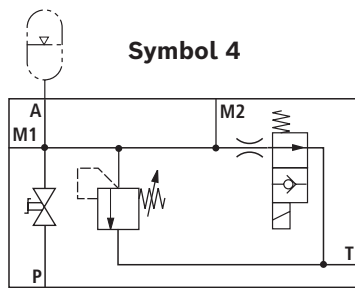
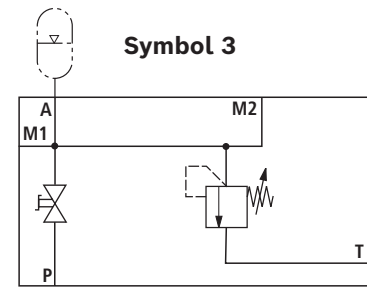
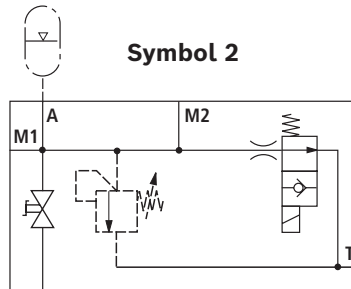
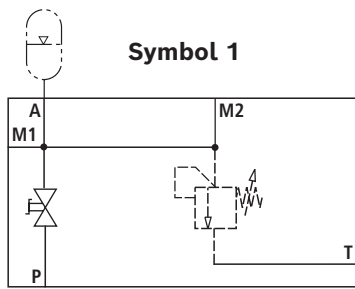
- 1** System shut-off cock
- 2** Pressure relief valve
- 3** Manual unloading
- 4** Electro-magnetic unloading



Connection designation:

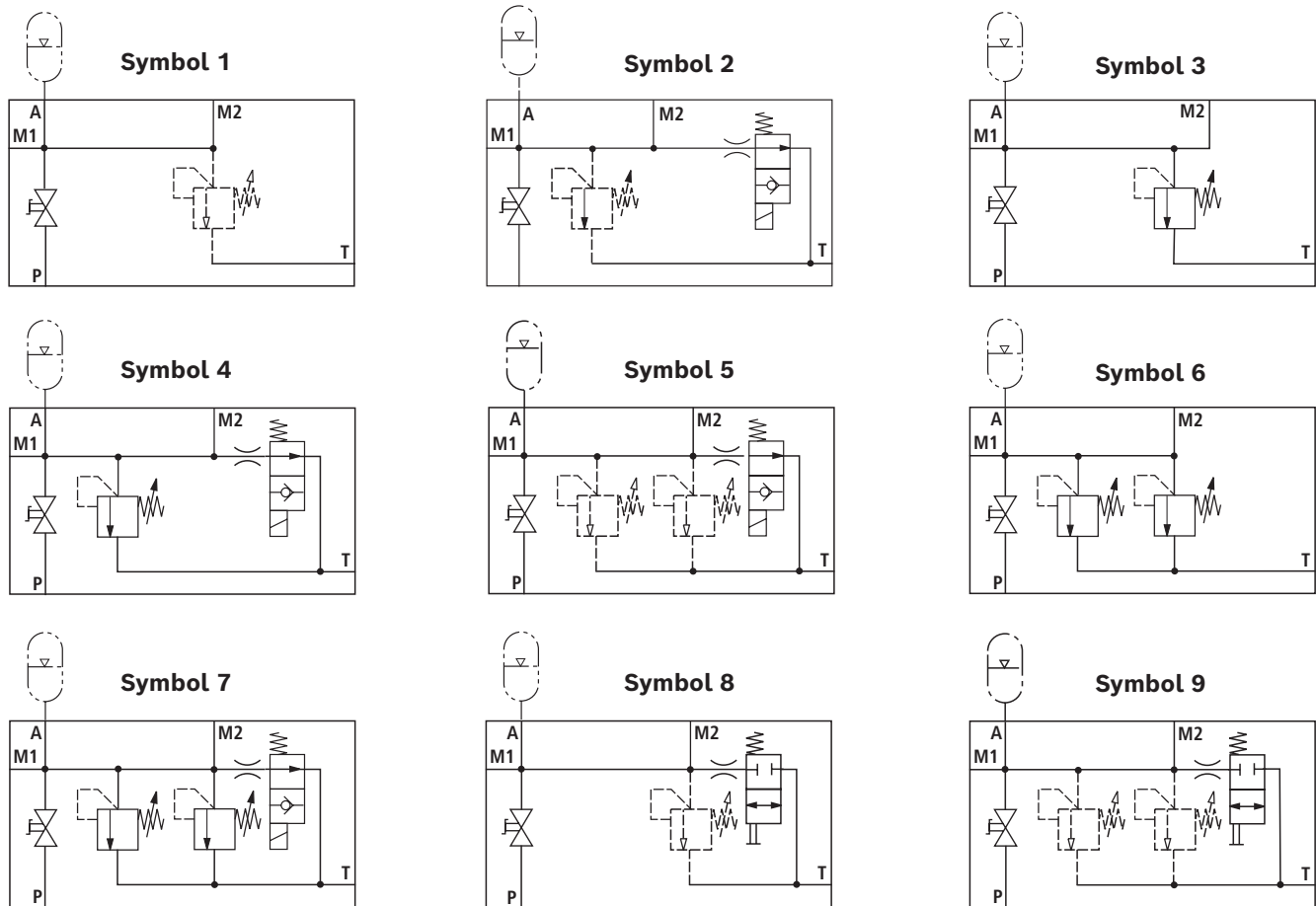
- M1, M2** Measuring port
- P** Pump port
- A** Accumulator port
- T** Tank port

Preferred types DN20



Symbol	Pressure set at the pressure relief valve in bar [psi]	Maximum securable flow l/min [gpm]	Denomination	Material no.
1	–	–	0532VAW20/1/FKM/-/-/Z/00/-/-/A1	0532015120
2	–	–	0532VAW20/2/FKM/-/-/Z/03/G/24/00/A1	0532015121
3	50 [730]	40 [10.56]	0532VAW20/3/FKM/050/D/Z/00/-/-/A1	R901192665
3	70 [1015]	50 [13.20]	0532VAW20/3/FKM/070/D/Z/00/-/-/A1	0532015123
3	100 [1450]	100 [26.40]	0532VAW20/3/FKM/100/D/Z/00/-/-/A1	0532015125
3	140 [2030]	100 [26.40]	0532VAW20/3/FKM/140/D/Z/00/-/-/A1	0532015127
3	160 [2320]	100 [26.40]	0532VAW20/3/FKM/160/D/Z/00/-/-/A1	0532015129
3	211 [3060]	100 [26.40]	0532VAW20/3/FKM/211/D/Z/00/-/-/A1	0532015131
3	250 [3625]	130 [34.32]	0532VAW20/3/FKM/250/D/Z/00/-/-/A1	0532015133
3	280 [4060]	130 [34.32]	0532VAW20/3/FKM/280/D/Z/00/-/-/A1	0532015137
3	330 [4800]	150 [39.60]	0532VAW20/3/FKM/330/D/Z/00/-/-/A1	0532015135
4	70 [1015]	50 [13.20]	0532VAW20/4/FKM/070/D/Z/03/G/24/00/A1	0532015122
4	100 [1450]	100 [26.40]	0532VAW20/4/FKM/100/D/Z/03/G/24/00/A1	0532015124
4	160 [2320]	100 [26.40]	0532VAW20/4/FKM/160/D/Z/03/G/24/00/A1	0532015126
4	211 [3060]	100 [26.40]	0532VAW20/4/FKM/211/D/Z/03/G/24/00/A1	0532015128
4	250 [3625]	130 [34.32]	0532VAW20/4/FKM/250/D/Z/03/G/24/00/A1	0532015130
4	280 [4060]	130 [34.32]	0532VAW20/4/FKM/280/D/Z/03/G/24/00/A1	0532015134
4	330 [4800]	150 [39.60]	0532VAW20/4/FKM/330/D/Z/03/G/24/00/A1	0532015132
8	–	–	0532VAW20/8/FKM/-/-/Z/01/-/-/A1	0532015139
10	211 [3060]	100 [26.40]	0532VAW20/10/FKM/211/K/Z/01/-/-/A1	R901131132
10	330 [4800]	150 [39.60]	0532VAW20/10/FKM/330/K/Z/01/-/-/A1	R901174602

Preferred types DN32



Symbol	Pressure set at the pressure relief valve in bar [psi]	Maximum securable flow l/min [gpm]	Denomination	Material no.
1	-	-	0532VAW32/1/FKM/-/Z/00/-/A1	0532016051
2	-	-	0532VAW32/2/FKM/-/Z/03/G/24/00/A1	0532016050
3	211 [3060]	100 [26.40]	0532VAW32/3/FKM/211/D/Z/00/-/A1	0532016053
3	330 [4800]	150 [39.60]	0532VAW32/3/FKM/330/D/Z/00/-/A1	0532016055
4	160 [2320]	100 [26.40]	0532VAW32/4/FKM/160/D/Z/03/G/24/00/A1	0532016054
4	211 [3060]	100 [26.40]	0532VAW32/4/FKM/211/D/Z/03/G/24/00/A1	0532016056
4	330 [4800]	150 [39.60]	0532VAW32/4/FKM/330/D/F/03/G/24/00/A1	0532016060
4	330 [4800]	150 [39.60]	0532VAW32/4/FKM/330/D/Z/03/G/24/00/A1	0532016058
5	-	-	0532VAW32/5/FKM/-/Z/03/G/24/00/A1	0532016052
7	211 [3060]	200 [52.80]	0532VAW32/7/FKM/211/DK/F/03/G/24/00/A1	0532016070
7	250 [3625]	260 [68.63]	0532VAW32/7/FKM/250/DK/F/03/G/24/00/A1	0532016072
7	330 [4800]	300 [79.20]	0532VAW32/7/FKM/330/DK/F/03/G/24/00/A1	R901166828
8	-	-	0532VAW32/8/FKM/-/Z/01/-/A1	0532016061
9	-	-	0532VAW32/9/FKM/-/F/01/-/A1	R901115110
9	-	-	0532VAW32/9/FKM/-/Z/01/-/A1	0532016063

Function

The accumulator shut-off block serves for protection, isolation and unloading of hydraulic accumulators. It is classified according to its use according to Pressure Equipment Directive 2014/68/EU article 4, section 3.

The connection between the accumulator shut-off block and the accumulator is realized by means of an accumulator adapter. An optional additional 2-way valve with electrical operation (normally open) enables automatic unloading of the accumulator in case of shutdown or "emergency off function".

The accumulator is protected from inadmissible overpressure by means of the pressure relief valve.

The **pressure relief valve** must **not be applied for any control tasks!**

Sufficient difference between the pressure set at the pressure relief valve and the operating pressure must be ensured. Response of the pressure relief valve should be prevented.

Technical data

(For applications outside these parameters, please consult us.)

general		
Weight		See table below
Installation position		Any
Ambient temperature range	°C [°F]	-10 ... +80 [+14... +176]
hydraulic		
Maximum operating pressure	bar [psi]	330 [4800]
Maximum securable flow	l/min [US gpm]	See pages 4 and 5
Δp - q_V characteristic curve		See page 8 and 9
Hydraulic fluid		See table below
Hydraulic fluid temperature range	°C [°F]	-15 ... +80 [+14... +176]
Seal material		FKM seals
Viscosity range	mm ² /s [SUS]	12 ... 380 [56 ... 1761]
Maximum admissible degree of contamination of the hydraulic fluid Cleanliness class according to ISO 4406 (c)		Class 20/18/15 ¹⁾

Hydraulic fluid	Classification	Suitable sealing materials	Standards	Data sheet
Mineral oils	HL, HLP	FKM	DIN 51524	90220
Other hydraulic fluids on request				

¹⁾ The cleanliness classes specified for the components must be adhered to in hydraulic systems. Effective filtration prevents faults and simultaneously increases the life cycle of the components.

Weight

Symbol	Nominal diameter	
	DN20 kg [lbs]	DN32 kg [lbs]
1	4.4 [9.7]	13.8 [30.3]
2	4.7 [10.3]	14.3 [31.4]
3	4.8 [10.5]	15.2 [33.4]
4	5.6 [12.3]	14.7 [32.3]
5	–	14.2 [31.2]
7	–	14.4 [31.6]
8	4.6 [10.1]	14.4 [31.6]
9	–	14.3 [31.4]
10	4.5 [9.9]	–

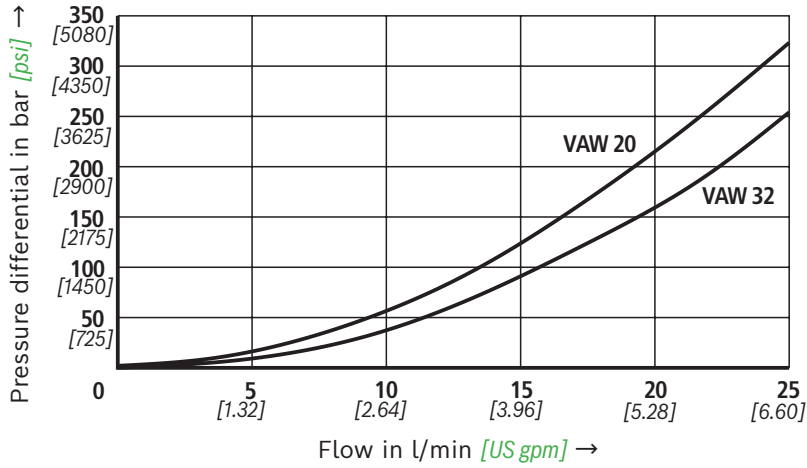
electrical		
Voltage type		Direct voltage
Available voltages	V	24
Protection class according to DIN EN 60529	► With connector "K4"	IP 65 (with mating connector mounted and locked)

Characteristic curves

(measured at $v = 35 \text{ mm}^2/\text{s}$, $\vartheta_{\text{oil}} = 50 \text{ }^\circ\text{C}$ [122 °F])

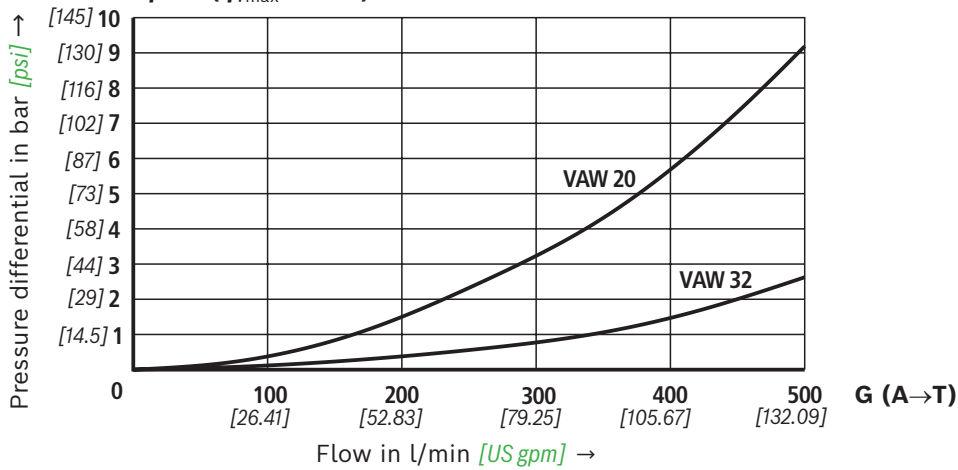
Flow accumulator via unloading valve to the tank

$$\Delta p = f(q_{V\text{max}} \text{ A} \rightarrow \text{T})$$



Flow from pump to accumulator

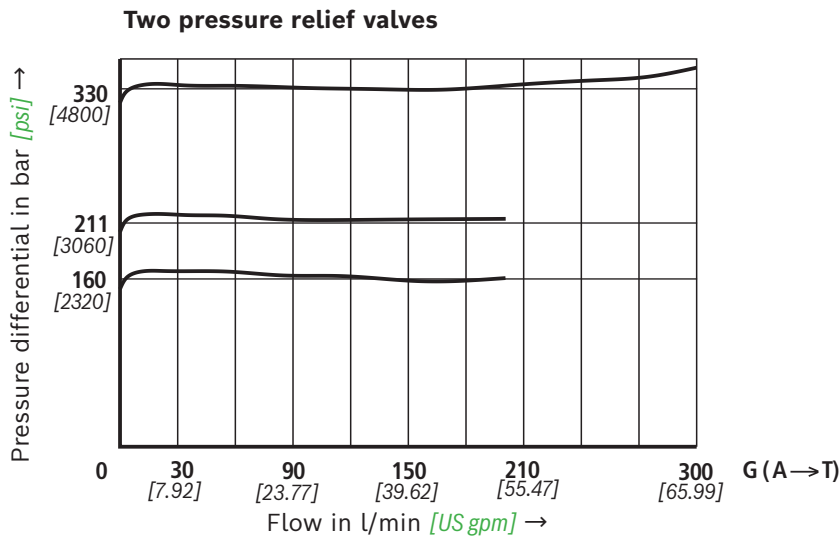
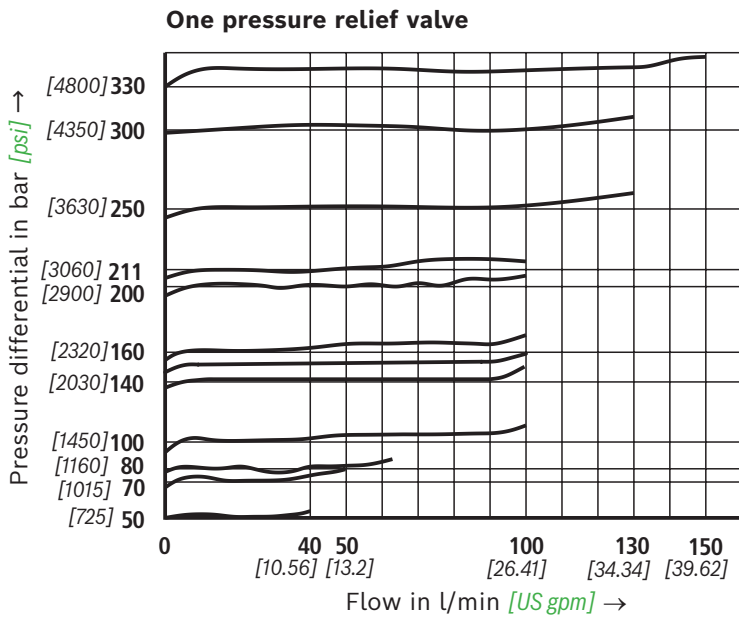
$$\Delta p = f(q_{V\text{max}} \text{ P} \rightarrow \text{A})$$



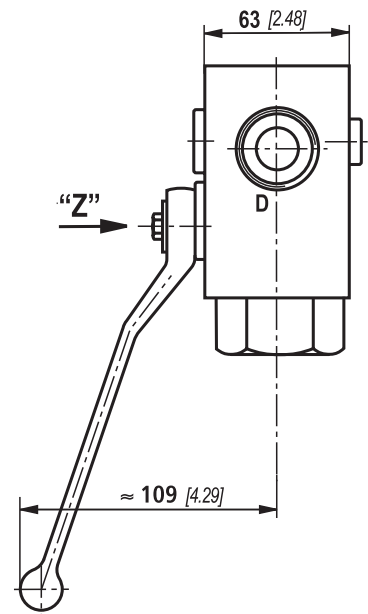
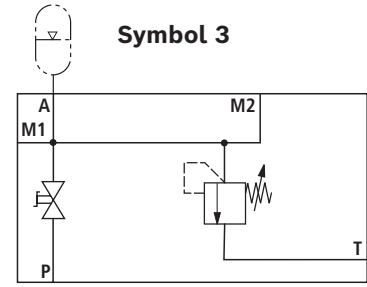
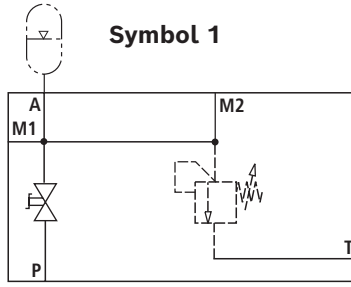
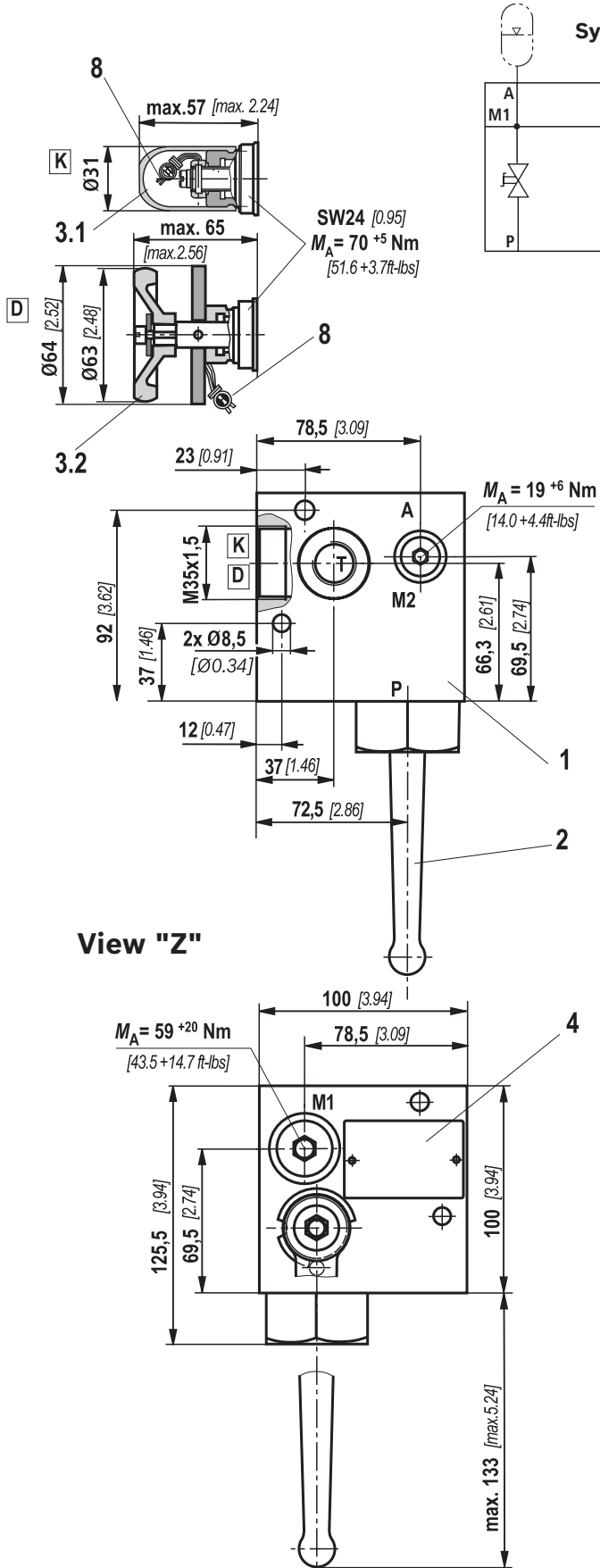
Characteristic curves

(measured at $v = 35 \text{ mm}^2/\text{s}$, $\vartheta_{\text{oil}} = 50 \text{ }^\circ\text{C}$ [122 °F])

Maximum securable flow of the pressure relief valve



Dimensions: Version "20", symbol 1 and 3
(dimensions in mm [*inch*])

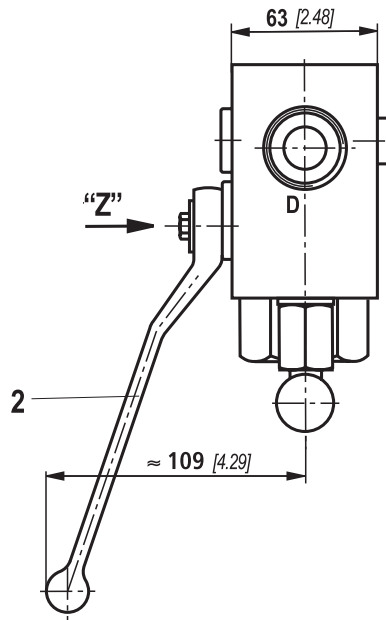
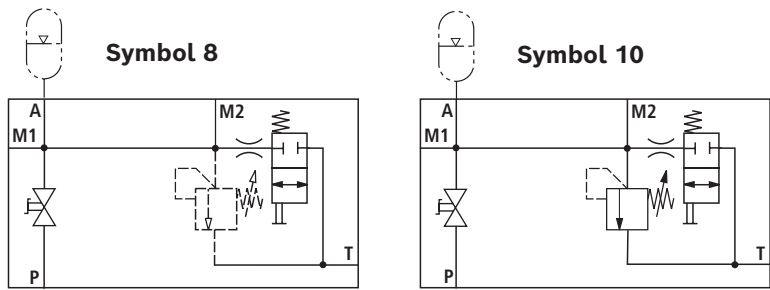
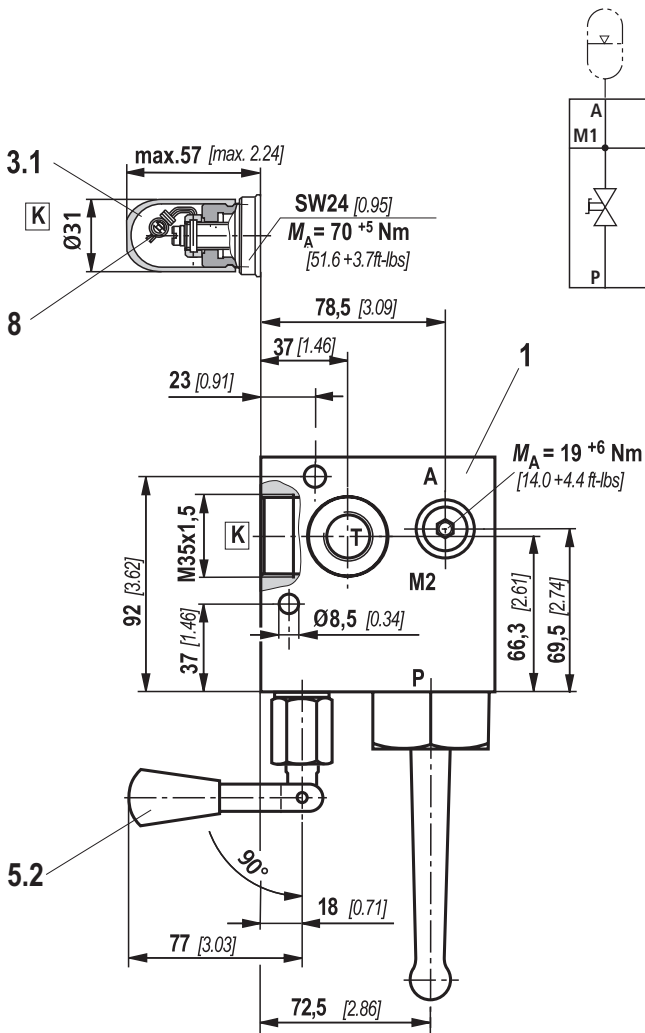


Connection thread		BSP
M1	Measuring port	G1/2
M2	Measuring port	G1/4
P	Pump port	G1
T	Tank port	G1/2
A	Accumulator port	M33 x 2 ¹⁾

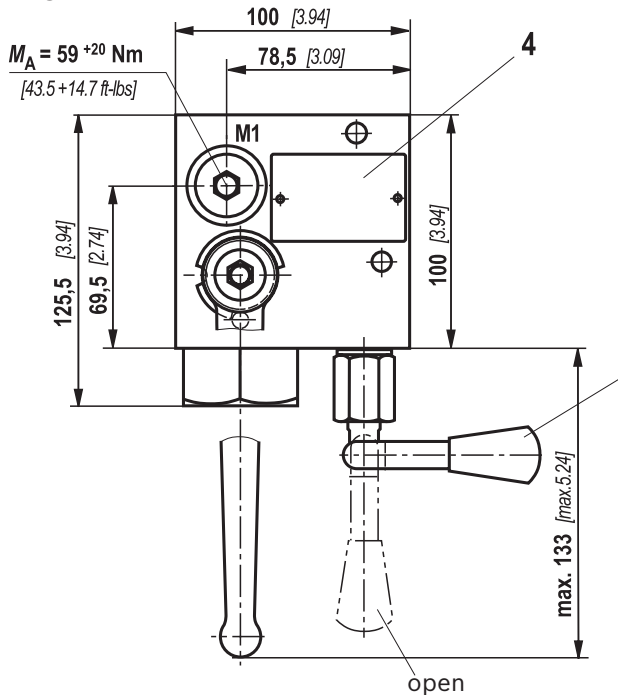
1) Mounting cavity DIN EN ISO 9974-1

Item explanations can be found on page **21**

Dimensions: 0532VAW20...DN20, symbol 8 and 10
(dimensions in mm [inch])



View "Z"

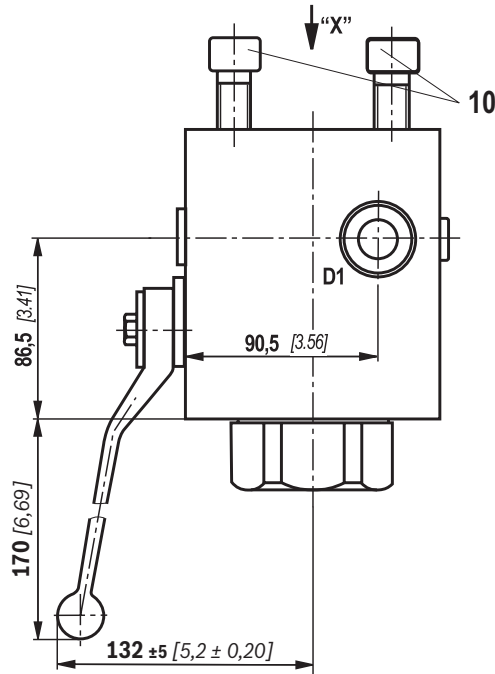
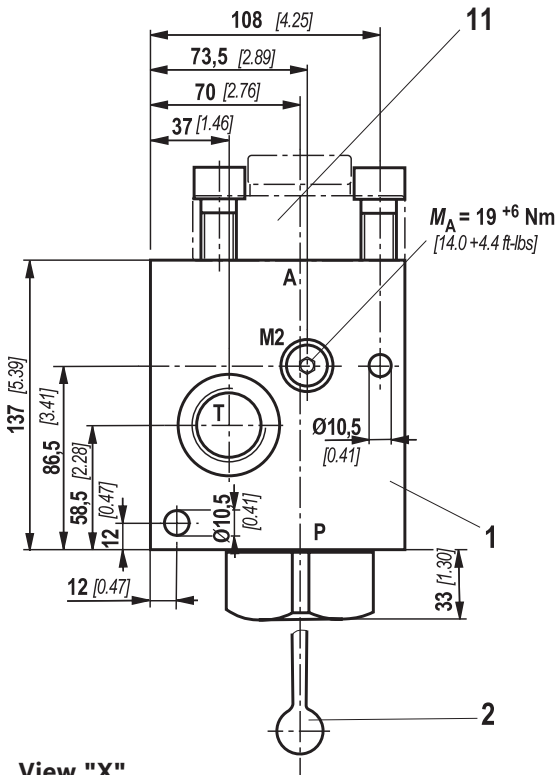
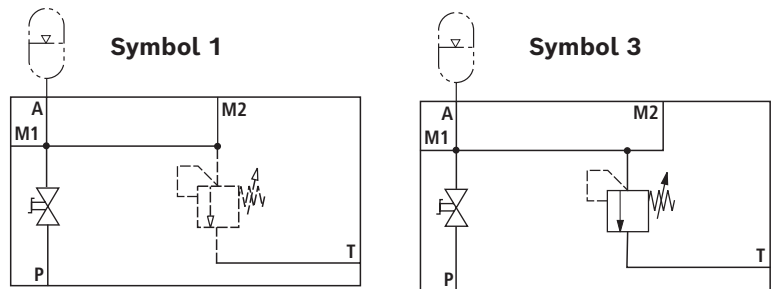


Connection thread		BSP
M1	Measuring port	G1/2
M2	Measuring port	G1/4
P	Pump port	G1
T	Tank port	G1/2
A	Accumulator port	M33 x 2 ¹⁾

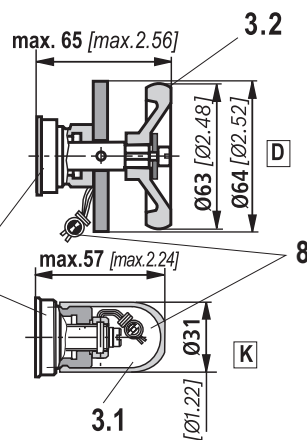
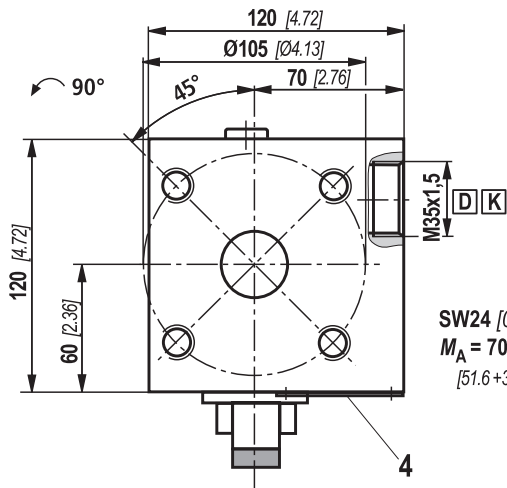
¹⁾ Mounting cavity DIN EN ISO 9974-1

Item explanations can be found on page 21

Dimensions: Version "32", symbol 1 and 3
(dimensions in mm [inch])



View "X"

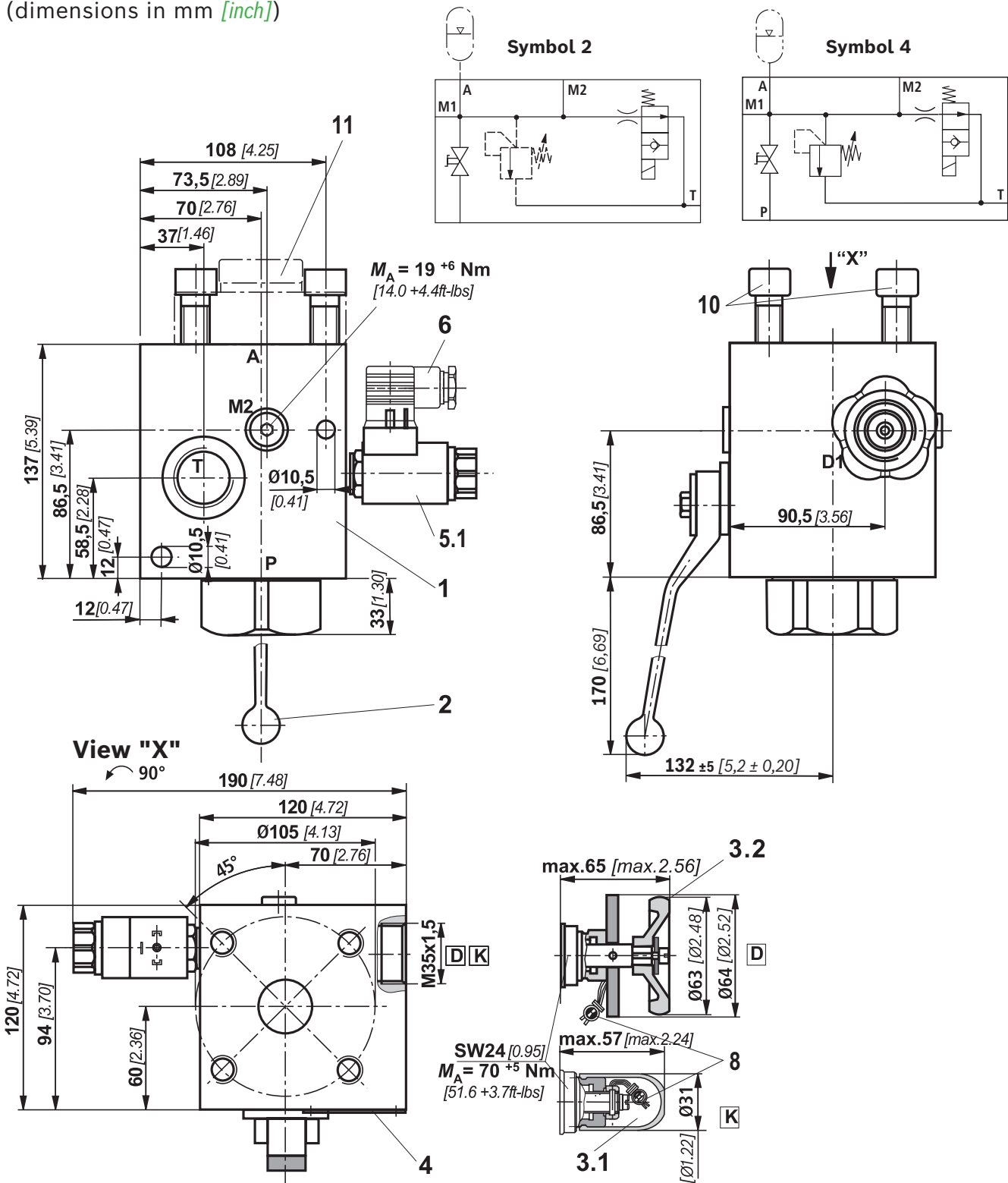


Connection thread		BSP
M1	Measuring port	G1/2
M2	Measuring port	G1/4
P	Pump port	G1 1/2
T	Tank port	G1
A	Accumulator port	Page 21

Accumulator adapter separate order, see page 21

Item explanations can be found on page 21

Dimensions: Version "32", symbol 2 and 4
(dimensions in mm [inch])

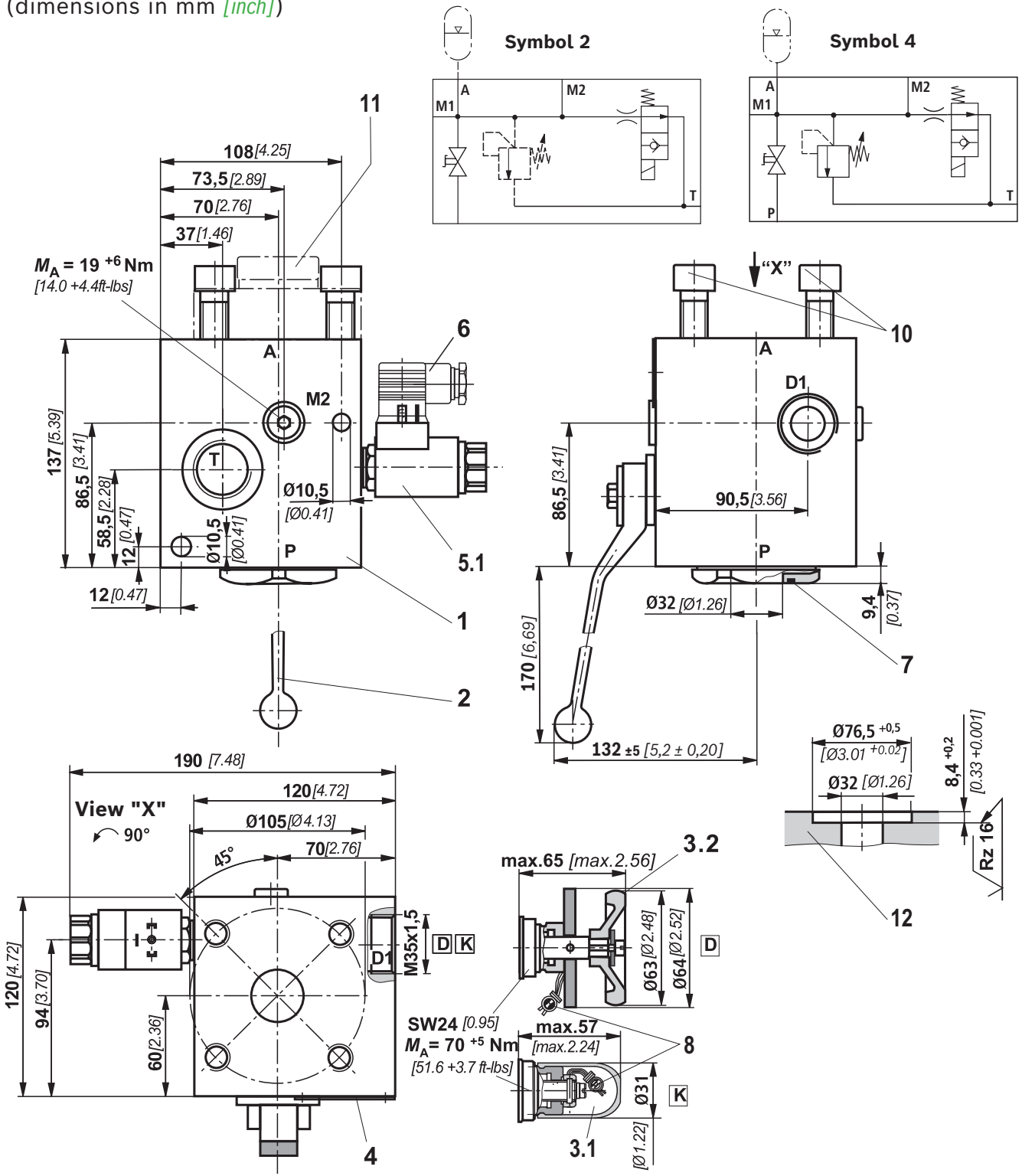


Accumulator adapter separate order, see page 21

Connection thread		BSP
M1	Measuring port	G1/2
M2	Measuring port	G1/4
P	Pump port	G1 1/2
T	Tank port	G1
A	Accumulator port	Page 21

Item explanations can be found on page 21

Dimensions: Version "32", switching symbol 2 and 4
(dimensions in mm [inch])

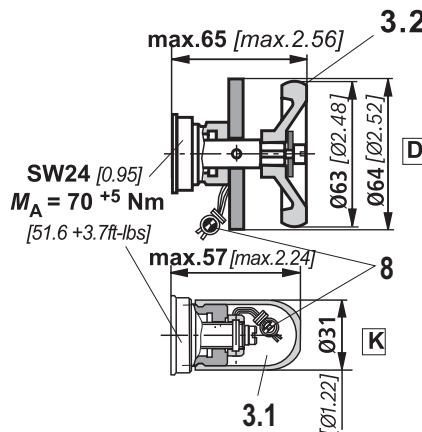
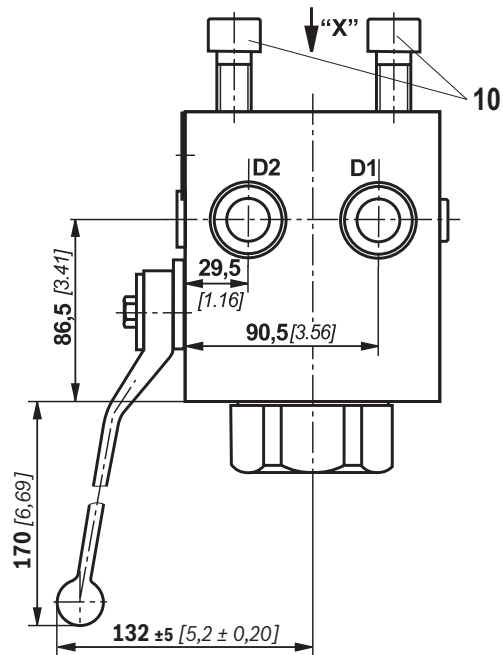
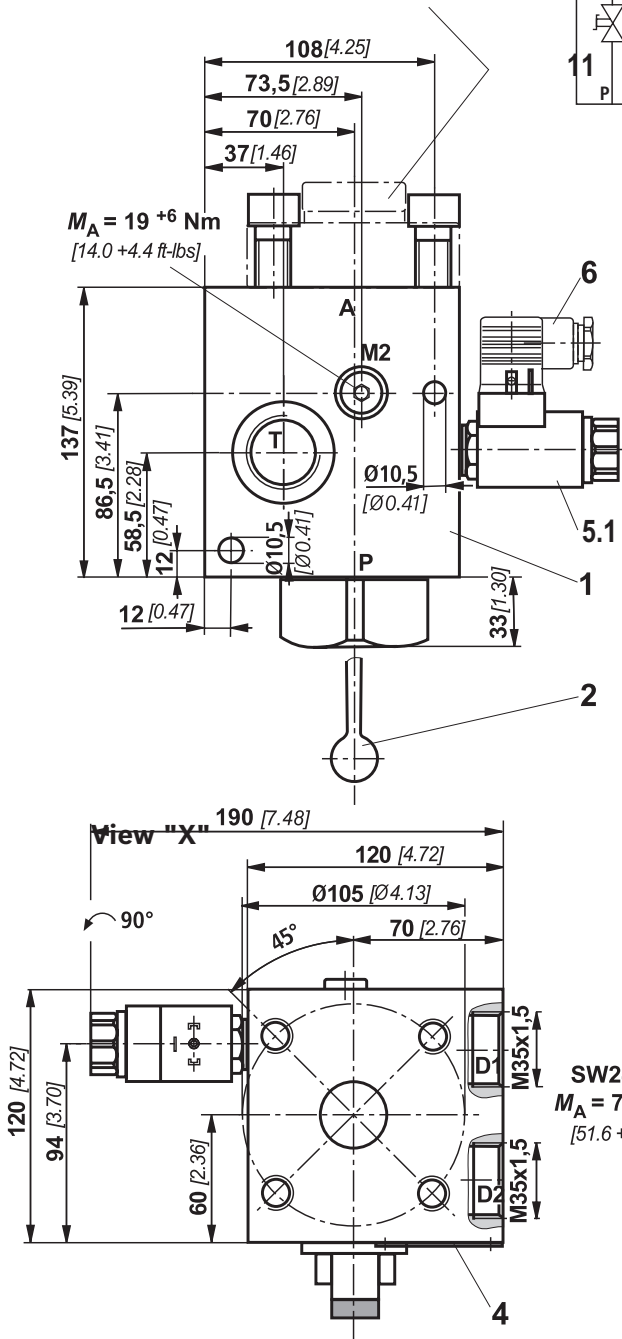
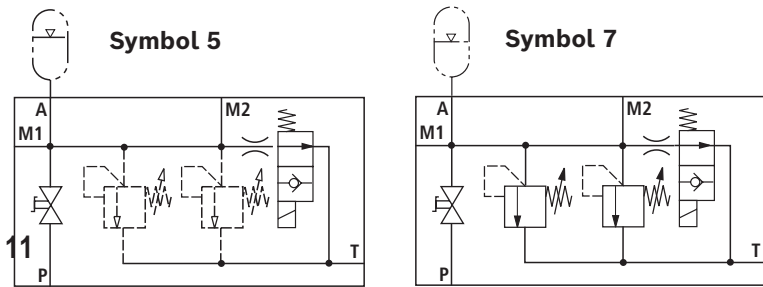


Accumulator adapter separate order, see page 21

Connection thread		BSP
M1	Measuring port	G1/2
M2	Measuring port	G1/4
P	Pump port (flange)	TK = Ø98; 4 x M16
T	Tank port	G1
A	Accumulator port	Page 21

Item explanations can be found on page 21

Dimensions: Version "32", symbol 5 and 7
(dimensions in mm [*inch*])

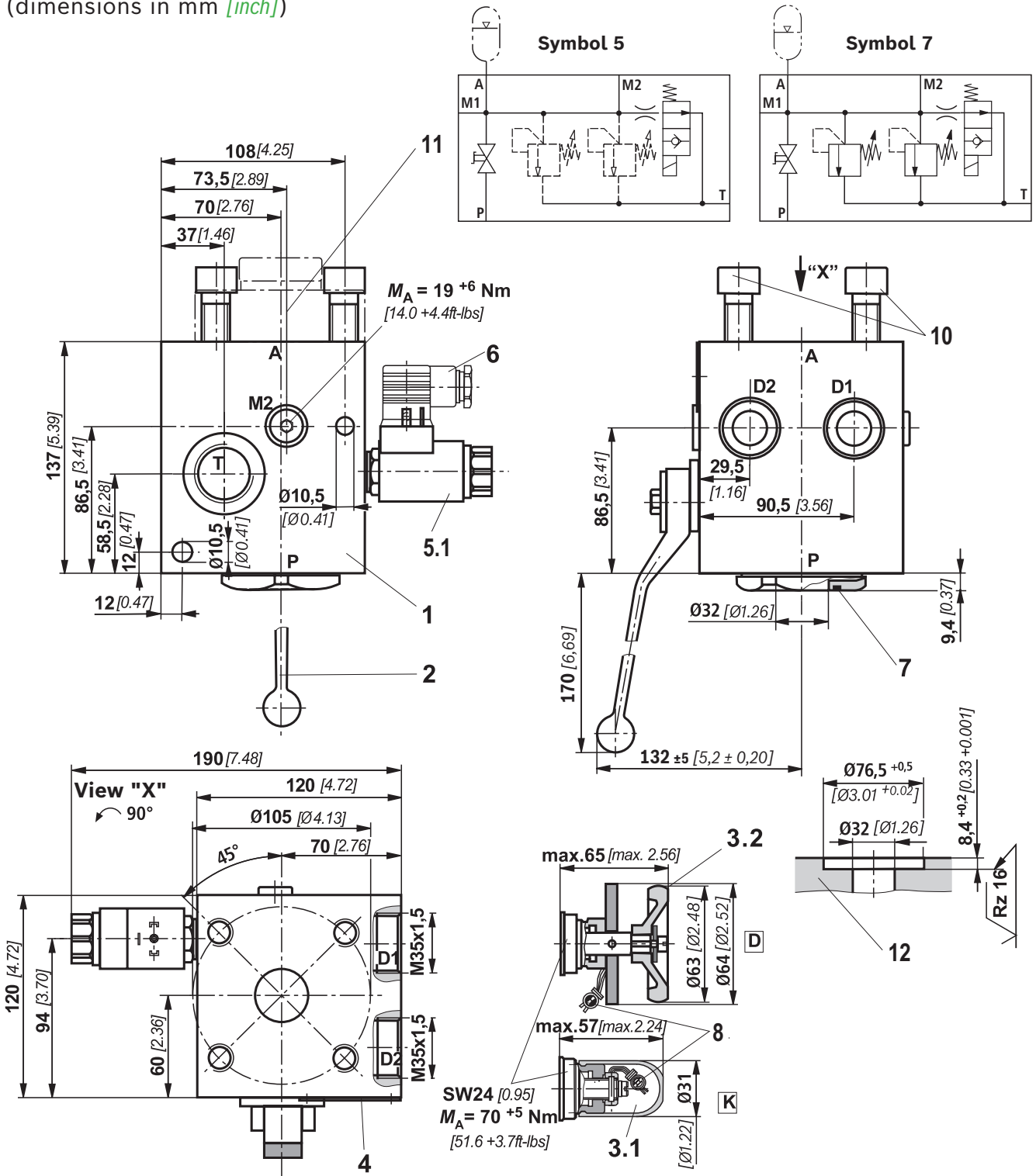


Connection thread		BSP
M1	Measuring port	G1/2
M2	Measuring port	G1/4
P	Pump port	G1 1/2
T	Tank port	G1
A	Accumulator port	Page 21

Accumulator adapter separate order, see page 21

Item explanations can be found on page 21

Dimensions: Version "32", symbol 5 and 7
(dimensions in mm [inch])

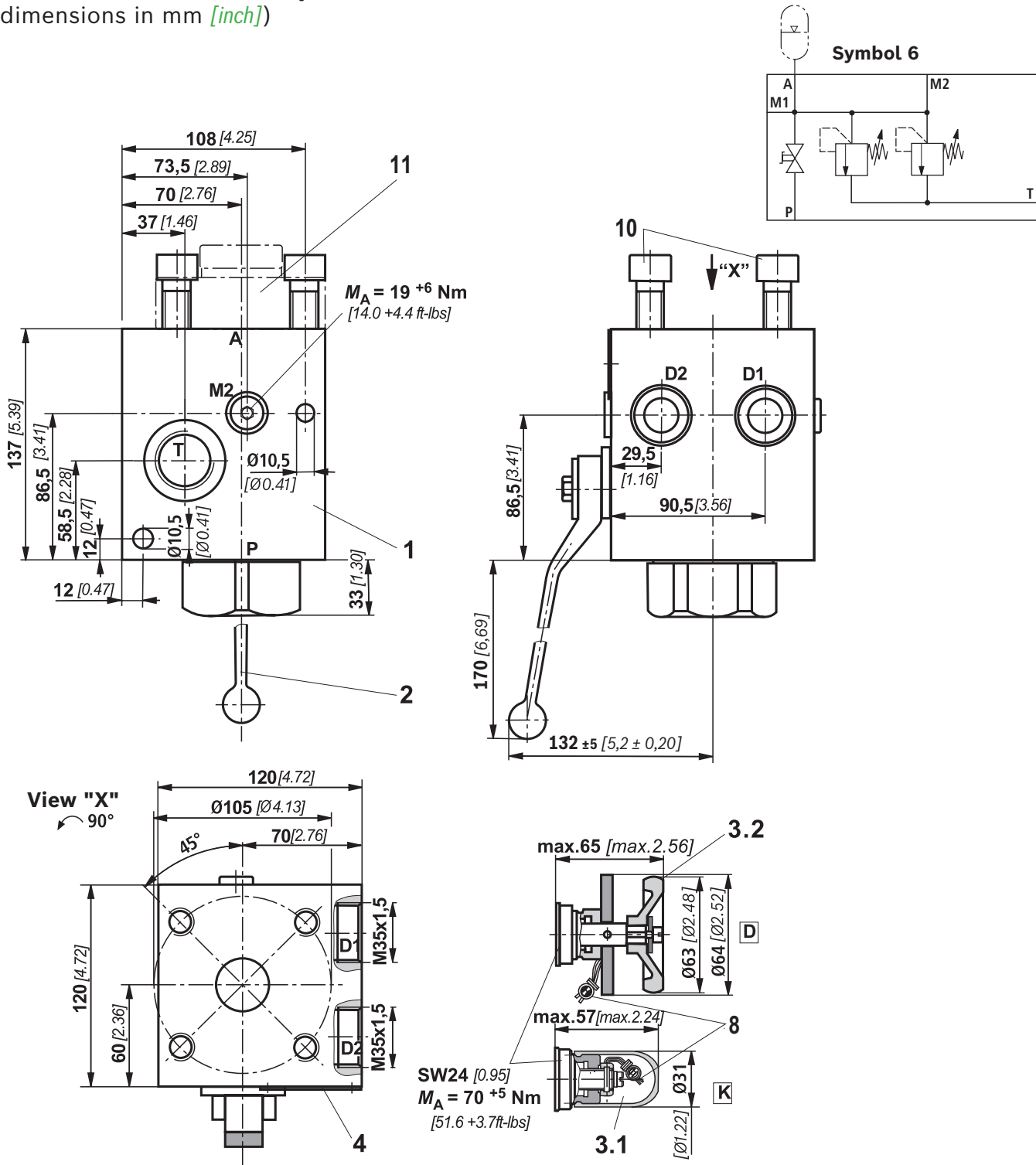


Accumulator adapter separate order, see page 21

Connection thread		BSP
M1	Measuring port	G1/2
M2	Measuring port	G1/4
P	Pump port (flange)	TK = Ø98; 4 x M16
T	Tank port	G1
A	Accumulator port	Page 21

Item explanations can be found on page 21

Dimensions: Version "32", symbol 6
(dimensions in mm [inch])

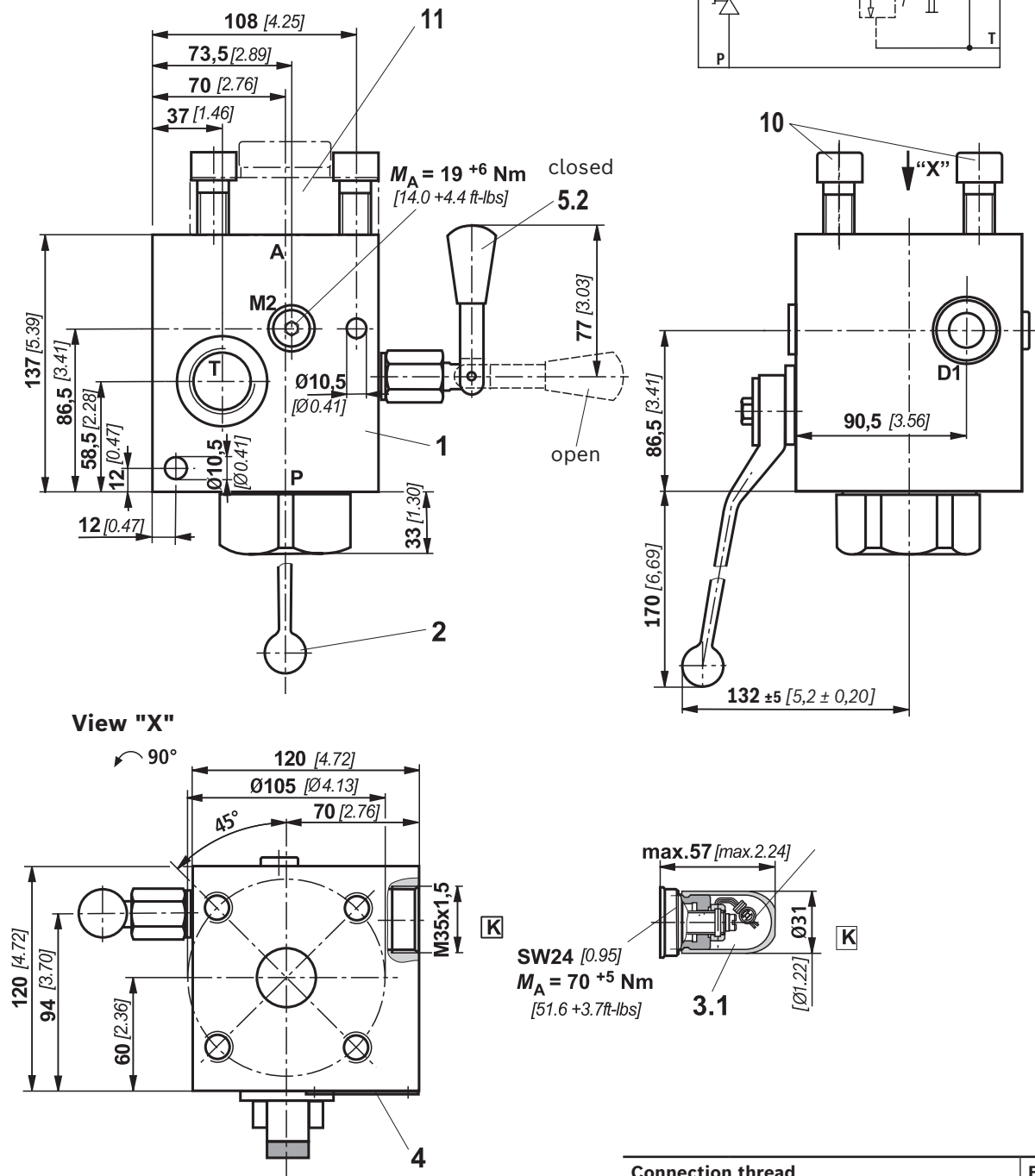


Connection thread		BSP
M1	Measuring port	G1/2
M2	Measuring port	G1/4
P	Pump port	G1 1/2
T	Tank port	G1
A	Accumulator port	Page 21

Accumulator adapter separate order, see page 21

Item explanations can be found on page 21

Dimensions: Version "32", symbol 8
(dimensions in mm [inch])

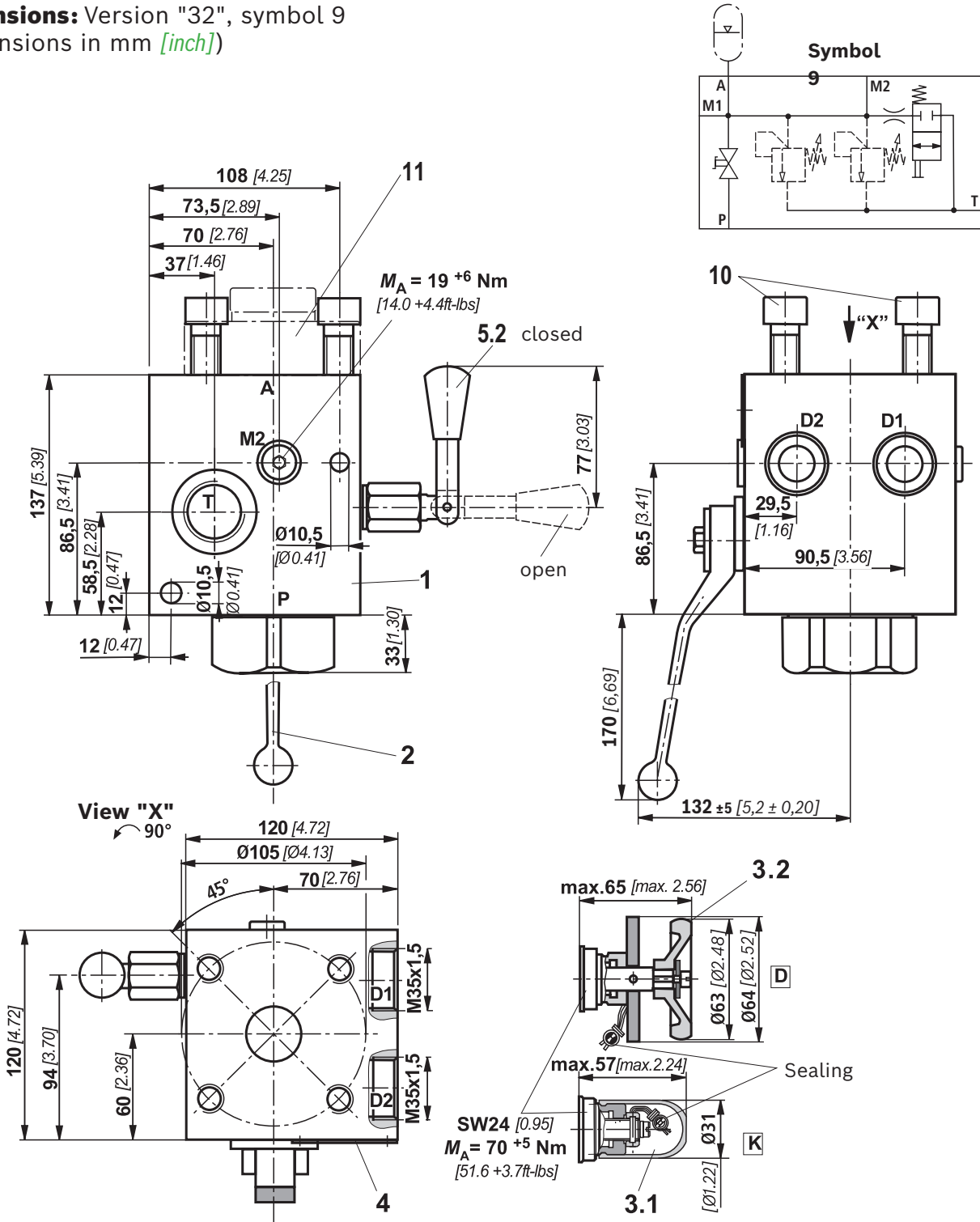


Accumulator adapter separate order, see page 21

Connection thread		BSP
M1	Measuring port	G1/2
M2	Measuring port	G1/4
P	Pump port	G1 1/2
T	Tank port	G1
A	Accumulator port	Page 21

Item explanations can be found on page 21

Dimensions: Version "32", symbol 9
(dimensions in mm [inch])



Accumulator adapter separate order, see page 21

Connection thread		BSP
M1	Measuring port	G1/2
M2	Measuring port	G1/4
P	Pump port	G1 1/2
T	Tank port	G1
A	Accumulator port	Page 21

Item explanations can be found on page 21

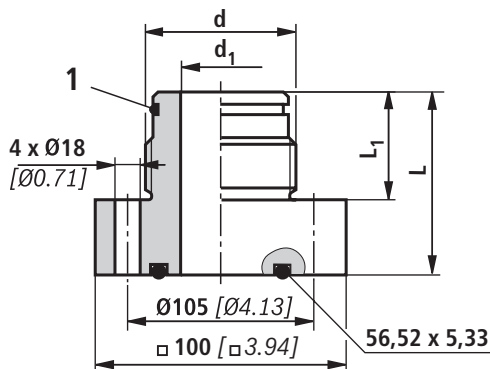
Dimensions: Item explanations

- 1 Block
- 2 System shut-off cock
- 3.1 Pressure relief valve, adjustment type "K" with spindle and protective cap; sealed
- 3.2 Pressure relief valve, adjustment type "D" with hand wheel and manual unloading; sealed
- 4 Name plate
- 5.1 Electro-magnetic unloading
- 5.2 Manual unloading, closed
- 6 Mating connector included in the scope of delivery
- 7 Seal ring $\varnothing 40 \times 3$
- 8 Sealing
- 9 Space required to remove the connector
- 10 Hexagon socket head cap screw **4 x ISO 4762- M16 x 45-10**
Tightening torque $M_A = 250 +10 \text{ Nm}$
[184.0 +7.4 ft-lbs]
- 11 Accumulator adapter, separate order, see page 21
- 12 Counterflange for port P (separate order)

Accessories: Accumulator adapter BSP thread
(dimensions in mm *[inch]*)

Accumulator adapter for version "32", maximum operating pressure 330 bar *[4800 psi]*

Type: S307V/G1 1/4-DN32 and
S309V/G2-DN32



4 x hexagon socket head cap screw,
ISO 4762 - M16 x 45 - 10.9
included in the scope of delivery

1 Seal ring, see table

Short designation	Accumulator adapter	Material no.	d	d1	L	L1	Seal ring
S307	S307V/G1 1/4-DN32	R900085303	G1 1/4	20	67	37	Ø30.00 x 3.00
S309	S309V/G2-DN32	R900545858	G 2	32	73	43	Ø48.00 x 3.00