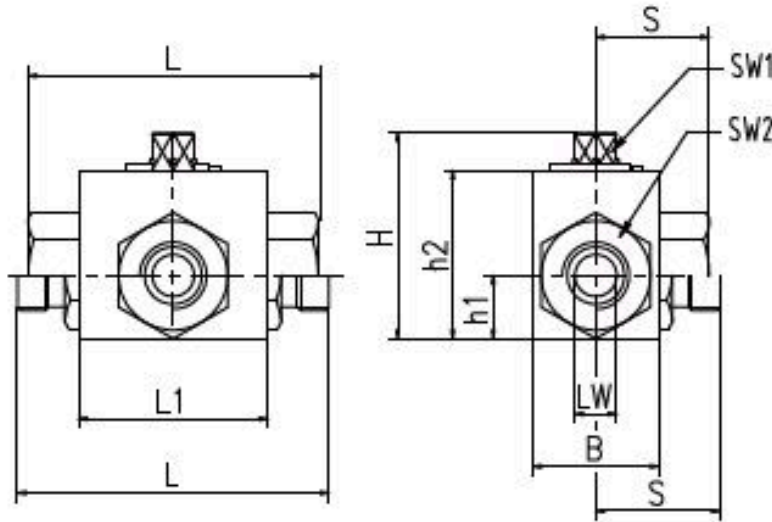
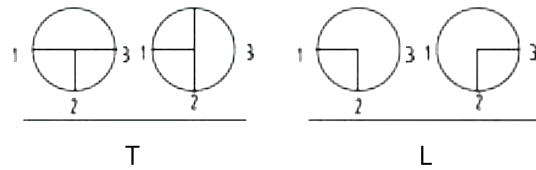
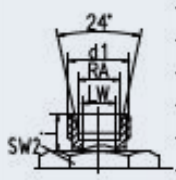
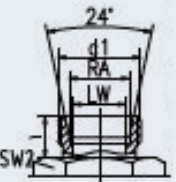
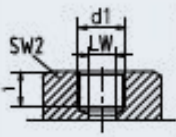




## HYDRAULIC DIAGRAM



	/TYPE	(bar)	DN (mm)	LW	RA	d1	i	L	L1	B	H	h1	h2	SW1	SW2	S
	KHB3K-M16x1.5	500	6	6	11	M16x1.5	11	69	40	26	45	14	33	9	22	27.5
	KHB3K-M22x1.5	500	8	8	16	M22x1.5	12	76	42	32	49	16	36	9	27	33
	KHB3K-M27x1.5	500	10	10	20	M27x1.5	12	76	42	32	49	16	36	9	27	33
	KHB3K-M30x1.5	400	16	15	24	M30x1.5	13	84	48	38	61	19	45	12	32	37
	KHB3K-M36x2	315	20	20	30	M36x2	15	103	60	48	70	25	55	14	41	45.5
	KHB3K-M42x2	315	25	25	35	M42x2	18	116	65	57	79	29	64	14	50	54
	KHB3K-M52x2	315	32	30	40	M52x2	20	149	84	75	101	38	84	17	60	62.5
	KHB3K-M60x2	315	40	38	45	M60x2	22	174	91	85	112	42	95	17	70	84
	KHB3K-G1/8	500	4	6	-	G1/8	14	69	40	25	45	14	33	9	22	34.5
	KHB3K-G1/4	500	6	6	-	G1/4	14	69	40	25	45	14	33	9	22	34.5
	KHB3K-G3/8	500	10	10	-	G3/8	14	72	42	32	49	16	36	9	27	36
	KHB3K-G1/2	500	13	12	-	G1/2	14	83	47	35	49	18	38	9	30	40
	KHB3K-G1/2	400	16	15	-	G1/2	16	83	48	38	61	19	45	9	32	42
	KHB3K-G3/4	315	20	20	-	G3/4	18	95	60	48	70	25	55	12	41	49
	KHB3K-G1	315	25	25	-	G1	21	113	65	57	79	29	64	12	50	56.5
	KHB3K-G1 1/4	315	32	32	-	G1 1/4	22	110	84	75	101	38	84	14	60	62.5
	KHB3K-G1 1/2	315	40	38	-	G1 1/2	24	130	91	85	112	43	95	14	70	61
	KHB3K-G2	315	50	48	-	G2	26	140	100	104	131	52	113	14	90	66

	/TYPE	(bar)	DN (mm)	LW	RA	d1	i	L	L1	B	H	h1	h2	SW1	SW2	S	
	LR	KHB3K-06LR	500	4	4	6	M12x1.5	10	67	40	26	45	14	33	9	22	34.5
		KHB3K-08LR	500	6	6	8	M14x1.5	10	67	40	26	45	14	33	9	22	34.5
		KHB3K-10LR	500	8	8	10	M16x1.5	11	74	42	32	49	16	36	9	27	36
		KHB3K-12LR	400	10	10	12	M18x1.5	11	74	42	32	49	16	36	9	27	36
		KHB3K-15LR	500	13	12	15	M22x1.5	13	82	47	35	53	18	38	9	30	40
		KHB3K-15LR	500	12	12	15	M22x1.5	12	82	48	38	61	19	45	9	32	40
		KHB3K-18LR	500	13	12	18	M26x1.5	13	82	47	35	53	18	38	9	30	42
		KHB3K-18LR	400	16	15	18	M26x1.5	12	82	48	38	61	19	45	9	32	42
		KHB3K-22LR	315	20	19	22	M30x2	14	101	60	48	70	25	55	9	41	49
		KHB3K-28LR	315	25	25	28	M36x2	14	108	65	57	79	29	64	12	50	54
		KHB3K-35LR	315	32	30	35	M45x2	16	141	84	75	101	38	84	14	60	66
		KHB3K-42LR	315	40	36	42	M52x2	16	162	91	85	112	43	95	14	70	78
	SR	KHB3K-08SR	500	4	5	8	M16x1.5	12	73	40	26	45	14	33	9	22	34.5
		KHB3K-10SR	500	6	6	10	M18x1.5	12	73	40	26	45	14	33	9	22	34.5
		KHB3K-12SR	500	8	8	12	M20x1.5	12	76	42	32	49	16	36	9	27	36
		KHB3K-14SR	500	10	10	14	M22x1.5	14	80	42	32	49	16	36	9	27	36
		KHB3K-16SR	500	13	12	16	M24x1.5	14	86	47	35	53	18	38	9	30	44
		KHB3K-16SR	500	12	12	16	M24x1.5	14	86	48	38	61	19	45	9	32	37
		KHB3K-20SR	500	13	13	20	M30x2	16	90	47	35	53	18	38	9	30	44
		KHB3K-20SR	400	16	15	20	M30x2	16	90	48	38	61	19	45	9	32	37
		KHB3K-25SR	315	20	20	25	M36x2	18	109	60	48	70	25	55	12	41	49
		KHB3K-30SR	315	25	25	30	M42x2	20	120	65	57	79	29	64	12	50	60
	KHB3K-38SR	315	32	30	38	M52x2	22	153	84	75	101	38	84	14	60	76.5	
	NPT	KHB3K-NPT1/8	500	4	6	-	NPT 1/8	11	69	35	26	45	14	33	9	22	34.5
		KHB3K-NPT1/4	500	6	6	-	NPT 1/4	11	69	35	26	45	14	33	9	22	34.5
		KHB3K-NPT3/8	500	10	10	-	NPT 3/8	11	72	42	32	49	16	36	9	27	36
		KHB3K-NPT1/2	500	13	12	-	NPT 1/2	14	83	47	35	49	18	38	9	30	40
		KHB3K-NPT1/2	400	16	15	-	NPT 1/2	14	83	48	38	61	19	45	9	32	42
		KHB3K-NPT3/4	315	20	20	-	NPT 3/4	18	95	60	48	70	25	55	12	41	49
		KHB3K-NPT1	315	25	25	-	NPT1	21	113	65	57	79	29	64	12	50	56.5
		KHB3K-NPT1/4	315	32	32	-	NPT 1/4	22	110	84	75	101	38	84	14	60	66
		KHB3K-NPT1/2	315	40	38	-	NPT 1/2	24	130	91	85	112	43	95	14	70	61
		KHB3K-NPT2	315	50	48	-	NPT2	26	140	100	104	113	53	113	14	90	62.5